

Precision Components for Ultra High Vacuum

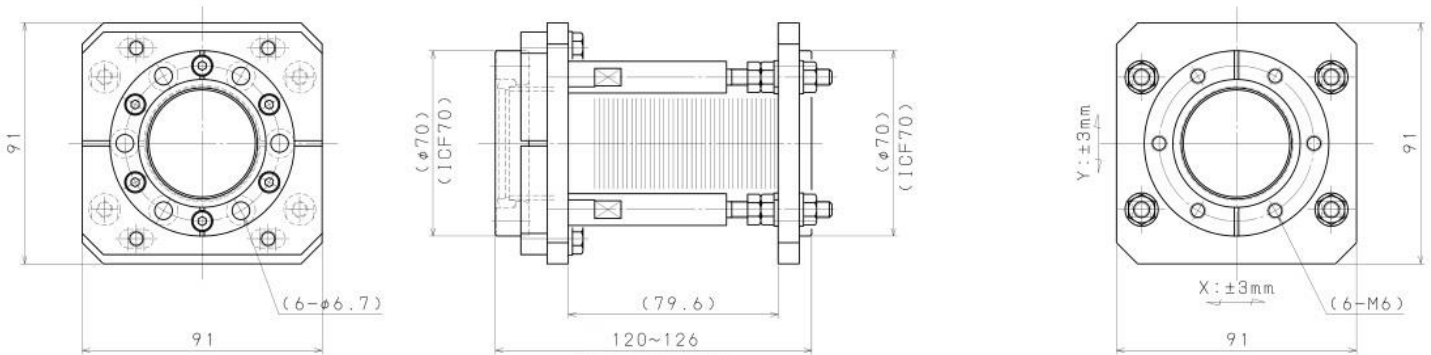
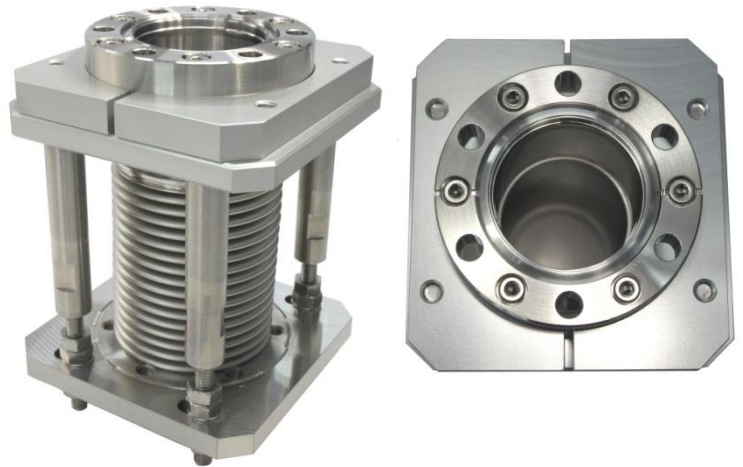
Simple XYZ stage ICF70XYZ

Specification

Flange	ICF70(tapped)
Stroke	XY: $\pm 3\text{mm}$ Z: 6mm
Vacuum seal	Molded bellows

Usage

Apply to feedthrough such as transfer rod.



Various Feedthroughs

Specification

- Electric current feedthroughs : 1A to 1000A
- Coaxial terminal feedthroughs : SMA, SMB, BNC, MHV, D-sub, etc.
- Plug feedthroughs : 3 to 4 Plugs
- Thermocouple feedthroughs : K, J, C, E, T, R, S types
Without cutting, a thermocouple can pass through between the vacuum and the atmosphere.



ICF203 flange with BNC



VG100 flange with BNC

※ **Welding, brazing, and metallizing of flanges are made in our dedicated factory.**