

Precision Components for Ultra High Vacuum

VIBRATION ISOLATOR & CHAMBER PRODUCTS



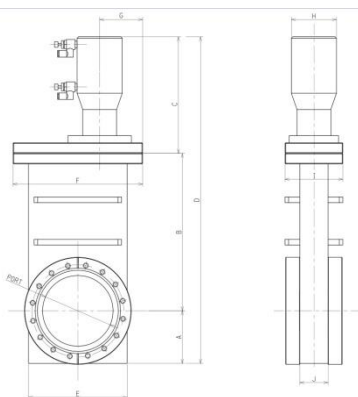
Gate Valves for Ultra High Vacuum G series

- ~ Low noise, Low vibration
- ~ High quality, Many kinds of lineup, Reasonable price
- ~ Easy to handle, Simple maintenance

Leak rate	Main body : 1×10^{-10} Pa·m ³ /sec Gate part : 1×10^{-9} Pa·m ³ /sec
Heating temperature	Main body : 250°C (metal seal) 、 150°C (Viton seal) Gate part : 150°C Actuator : 60°C
Seal	Metal seal , Viton O ring seal

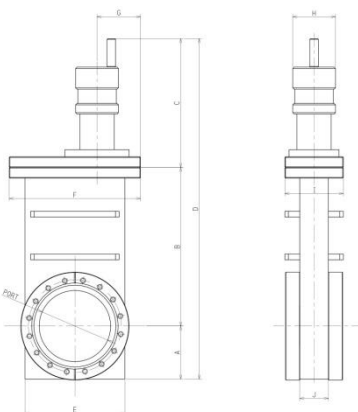


Pneumatic operation



Model	Port size	A	B	C	D	E	F	G	H	I	J
NW40G-P	NW40	38.5	103.5	109.5	251.5	69.5	92	30.5	52	50	27
ICF70G-P	ICF70										
ISO63G-P	ISO63	52.5	142	133.5	328	99.5	132	43	64	64	32.5
ICF114G-P	ICF114										
ISO100G-P	ISO100	74.5	223	160.5	458	140	184	61	64	82	40
ICF152G-P	ICF152										
ISO160G-P	ISO160	99	305	190	594	190	230	68	77	82	42
ICF203G-P	ICF203										
ISO200G-P	ISO200	121.5	389.5	227	738	239	279	76	94	82	42
ICF253G-P	ICF253										
ISO250G-P	ISO250	149	489	273	911	294	334	95	124	89	48
ICF305G-P	ICF305										
ISO320G-P	ISO320	188	590	277	1055	368	410	105	124	94	49.6
ICF356G-P	ICF356										

Manual operation



Model	Port size	A	B	C	D	E	F	G	H	I	J
NW40G-M	NW40	38.5	103.5	86	268.7	69.5	92	30.5	48	48	25.4
ICF70G-M	ICF70										
ISO63G-M	ISO63	52.5	142	94	329.5	99.5	132	43	64	64	32.5
ICF114G-M	ICF114										
ISO100G-M	ISO100	74.5	223	143	482	140	184	61	95	82	40
ICF152G-M	ICF152										
ISO160G-M	ISO160	99	305	154.5	599.2	190	230	68	79	82	42
ICF203G-M	ICF203										
ISO200G-M	ISO200	121.5	389.5	194.5	746.5	239	279	76	109	82	42
ICF253G-M	ICF253										
ISO250G-M	ISO250	149	489	226.5	905.2	294	334	95	117	89	48
ICF305G-M	ICF305										