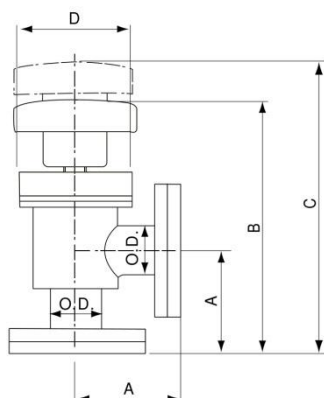


# Precision Components for Ultra High Vacuum

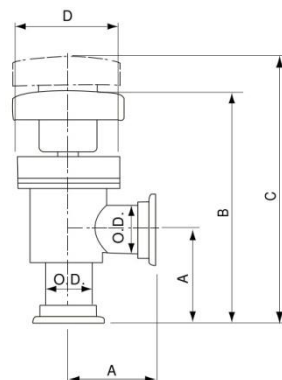
## Angle Valves VAVB Series



ICF34 manual type



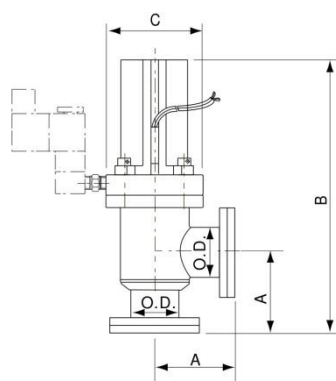
ICF manual type



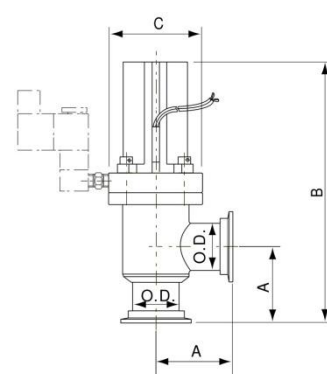
NW manual type



NW25 pneumatic type  
with position sensors



ICF pneumatic type  
with position sensors



NW pneumatic type  
with position sensors

Unit: mm

Model	Type	Standard	Specification	O.D.	A	B	C	D
VAVB-ICF34-M	Manual	ICF34	Pressure : Atmospheric pressure to $1 \times 10^{-7}$ Pa Leak rate : Less than $2 \times 10^{-10}$ Pa·m <sup>3</sup> /s Life : 500,000 times ※ICF114 type : 250,000 times Bake out temperature : 150°C Body material : SUS304 Bonnet seal : Viton	19.05	38	121	140	57.15
VAVB-ICF70-M		ICF70		38.1	63	171	202	76.2
VAVB-ICF114-M		ICF114		63.5	105	241	309	101.6
VAVB-KF16-M		NW16		19.05	40	113	142	57.15
VAVB-KF25-M		NW25		25.4	50	128	147	57.15
VAVB-KF40-M		NW40		38.1	65	168	199	76.2
VAVBS-ICF34-P	Pneumatic with position sensors	ICF34	Pressure : Atmospheric pressure to $1 \times 10^{-7}$ Pa Leak rate : Less than $2 \times 10^{-10}$ Pa·m <sup>3</sup> /s Life : 500,000 times Operating pressure : 0.4~0.6MPa Body material : SUS304 Normally Closed Sensor : DC/AC4~240V / 5~40mA Electromagnetic valve ( optional ) : DC24V, AC24V, AC110V, AC220V	19.05	38	156	57	
VAVBS-ICF70-P		ICF70		38.1	63	212	76	
VAVBS-KF16-P		NW16		19.05	40	158	57	
VAVBS-KF25-P		NW25		25.4	50	164	57	
VAVBS-KF40-P		NW40		38.1	65	214	76	