

# Beamline Related Products

NEG (Non-Evaporation type Getter)

Pill stacked Pumps

V-NEG Series

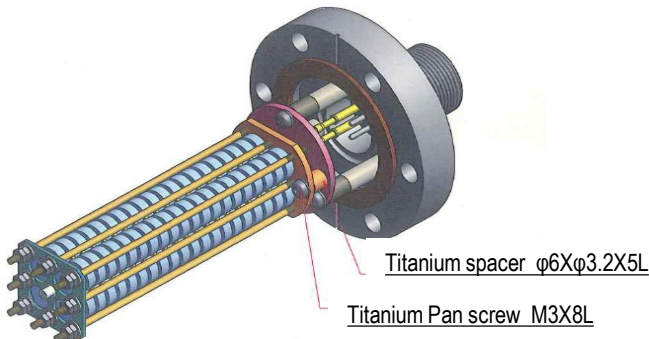
VIBRATION ISOLATOR & CHAMBER PRODUCTS



Low cost NEG pumps consist of NEG pill, the most suitable UHV pumps for Accelerator, VSX beamline, and Surface research equipment

## Feature

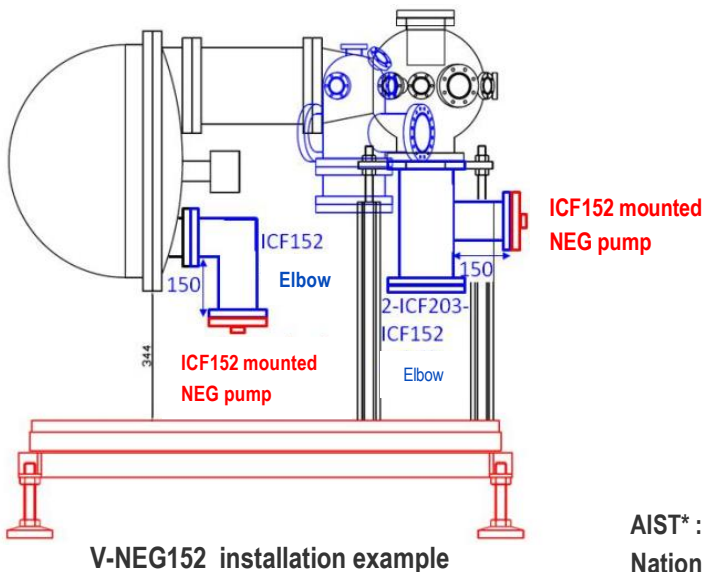
- Low cost
- Low activating power consumption
- Evacuation available up to  $10^{-10}$  Pa
- No vibration, no noise generated
- Compact and Lightweight
- No Evaporation/Sputtering of Getter materials



V-NEG 70

## Specification

Type	V-NEG70	V-NEG114	V-NEG152	V-NEG203
Flange	ICF70	ICF114	ICF152	ICF203
Hydrogen exhaust velocity (L/sec)	60~70	135~145	280~290	560~570
NEG material	ZrVFe	ZrVFe	ZrVFe	ZrVFe
NEG pill number (pcs)	84	168	336	672



### Delivery record

- Nagoya Univ.
- Aichi SR
- AIST\* etc.

AIST\* :

National Institute of Advanced Industrial Science and Technology